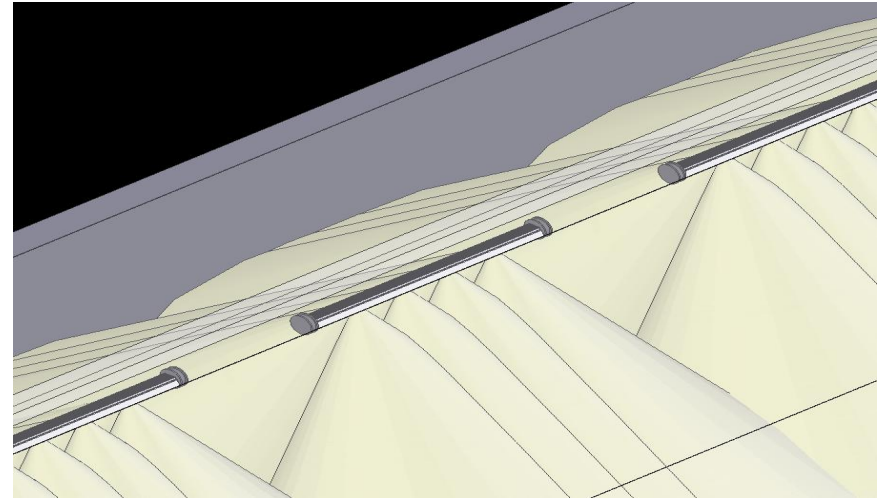
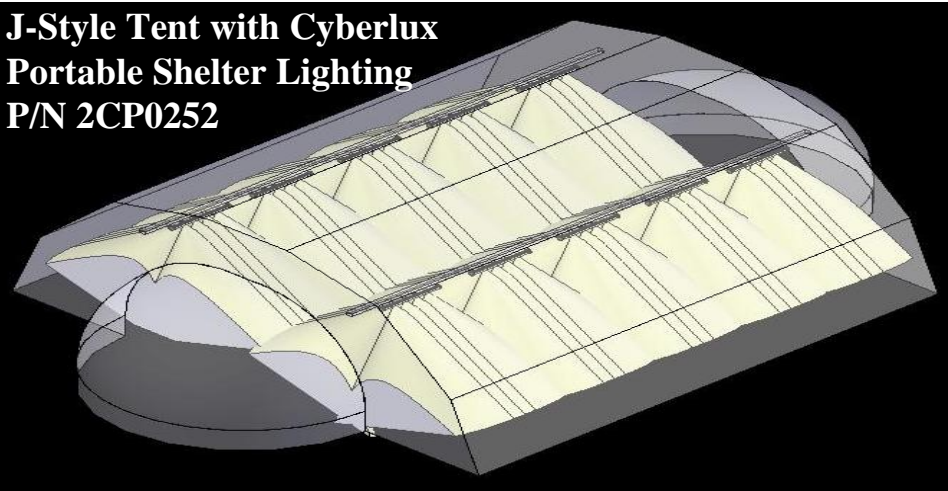


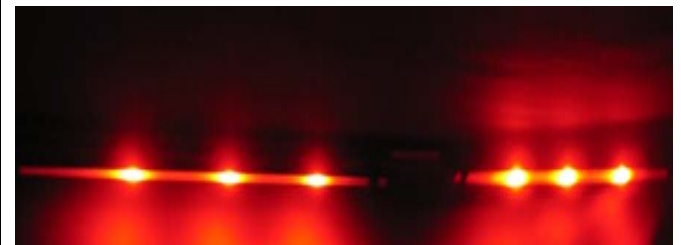
**J-Style Tent with Cyberlux
Portable Shelter Lighting
P/N 2CP0252**



SYSTEM OVERVIEW

Cyberlux Portable Shelter Lighting (PSL) delivers the most energy efficient lighting available for portable shelters. Cyberlux designed the PSL to provide ideal light dispersion and illumination for shelter structures with either white, red or blue lighting. The PSL configurations are specifically designed for use with existing portable shelter manufacturers.

- Directed Tri-modal Color Lighting in White / Red / Blue for optimal broad area illumination of shelters and other structures
- Performs for over 50,000 hours without any Light Bar replacement
- System operates with 31% more energy efficiency when compared to fluorescent task lighting
- Provides minimum of 8 foot-candles with 120V AC / 18 watts DC power
- Minimum Portable Shelter Lighting System Configuration:
 - Either 2, 4 or 8 Light Bars in a Wheeled Case
 - Optional Battery Power Supply for DC-powered Operation
- **All Products and Designs are Patented or Patent-Pending**



Portable LED Shelter Lighting System

White/Red/Blue Lighting, Dimming, Battery Operation



SYSTEM CONFIGURATIONS

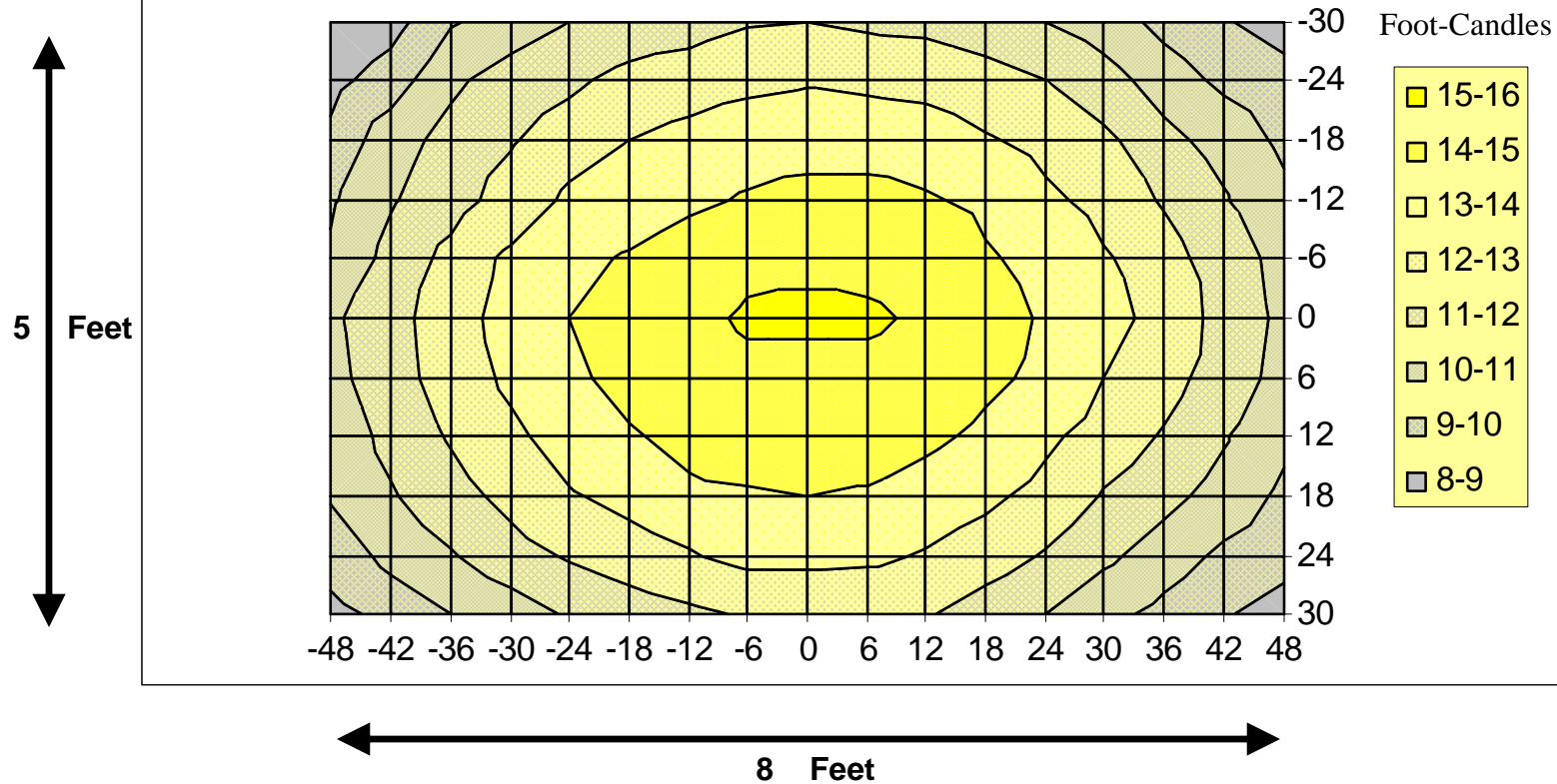
- Cyberlux P/N 2CP0250 (17' x 10' Area Lighting)
 - 2 LED Light Bar System
 - Independent White / Red / Blue Lighting Capability
 - Constant Dimming / DC Battery Operation (optional)
 - 120V AC / 18W DC / Power Cables
 - 31% more Energy Efficient than Fluorescent Lighting
 - Wheeled Case
- Cyberlux P/N 2CP0251 (34' x 20' Area Lighting)
 - 4 LED Light Bar System
 - Independent White / Red / Blue Lighting Capability
 - Constant Dimming / DC Battery Operation (optional)
 - 120V AC / 18W DC / Power Cables
 - 31% more Energy Efficient than Fluorescent Lighting
 - Wheeled Case
- Cyberlux P/N 2CP0252 (J-style Tent Illumination System)
 - 8 LED Light Bar System (as P/N 2CP0250 and 2CP0251)
 - System required to illuminate a J Tent (51.4' X 31.33')
 - Wheeled Case

All Products and Designs are Patented or Patent-Pending

Cyberlux Vs. Jameson & Drash Feature Comparison			
	Cyberlux	Jameson	Drash
White Light Output at Equal Input Power	150%	100%	100%
Use of Glass Bulbs	No	Yes	Yes
High Impact Resistant Light Fixture	Yes	No	No
Heavy Ballast Required	No	Yes	Yes
Metal Construction	Yes	No	No
Low Amp Draw	Yes	Yes	Yes
Compact Design	Yes	Yes	No
Switch Controlled Color Change	Yes	No	No
Dimming Capable	Yes	No	No
AC or DC Input Power Option	Yes	No	No
120V/60HZ or 220/60Hz or 220/50Hz	Yes	No	Yes
Battery Powered Capable	Yes	No	No
Independent White / Red / Blue Lighting Operation	Yes	No	No
Portable	Yes	Yes	Yes
Battery Pack SKU	Yes	No	No
Lighting Units to Illuminate a J-style Tent	8	10	5
All Products and Designs are Patented or Patent-Pending			

PHOTOMETRICS: Mounting Height – 8', Foot-Candles at Ground Level
Two Light Bars data (beam pattern is with diffuser - not concentrated)

Illumination @ 8' from Two Cyberlux 4' End-to-End Light Bars



All Products and Designs are Patented or Patent-Pending