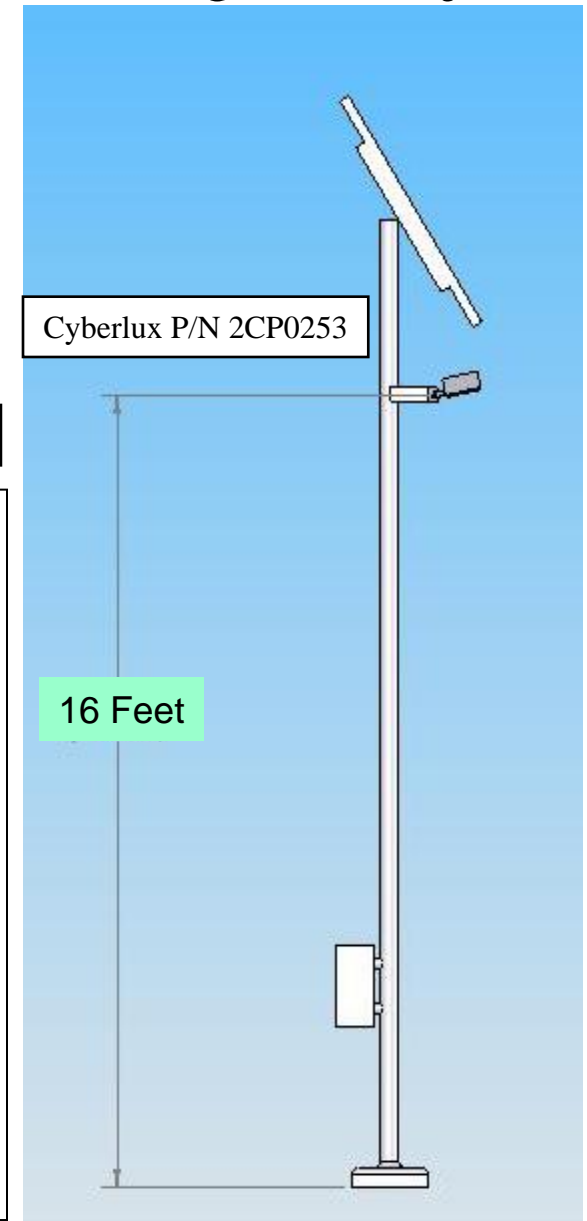
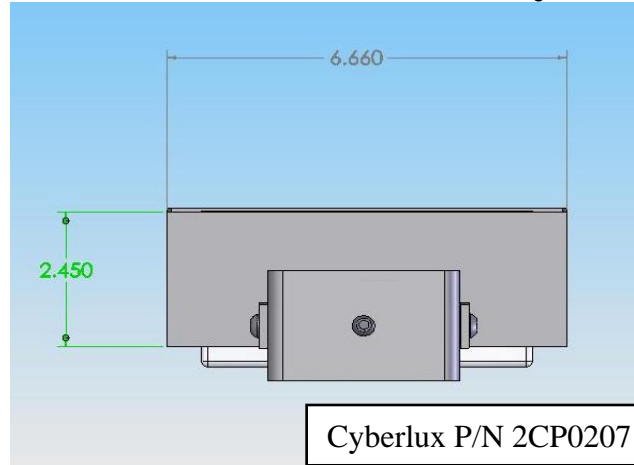
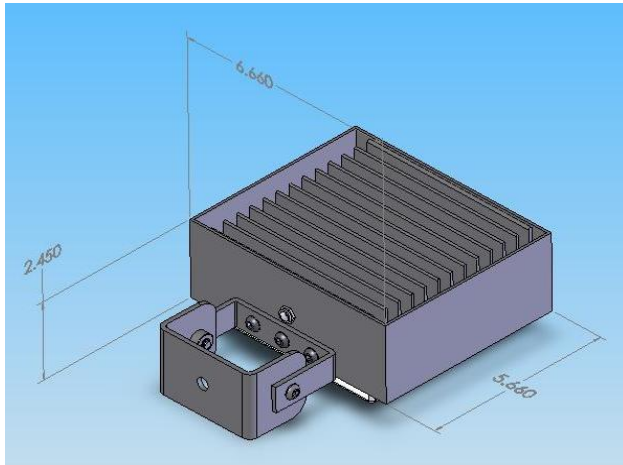


Outdoor Overhead Lighting for Solar Pathway and Parking Lot Projects



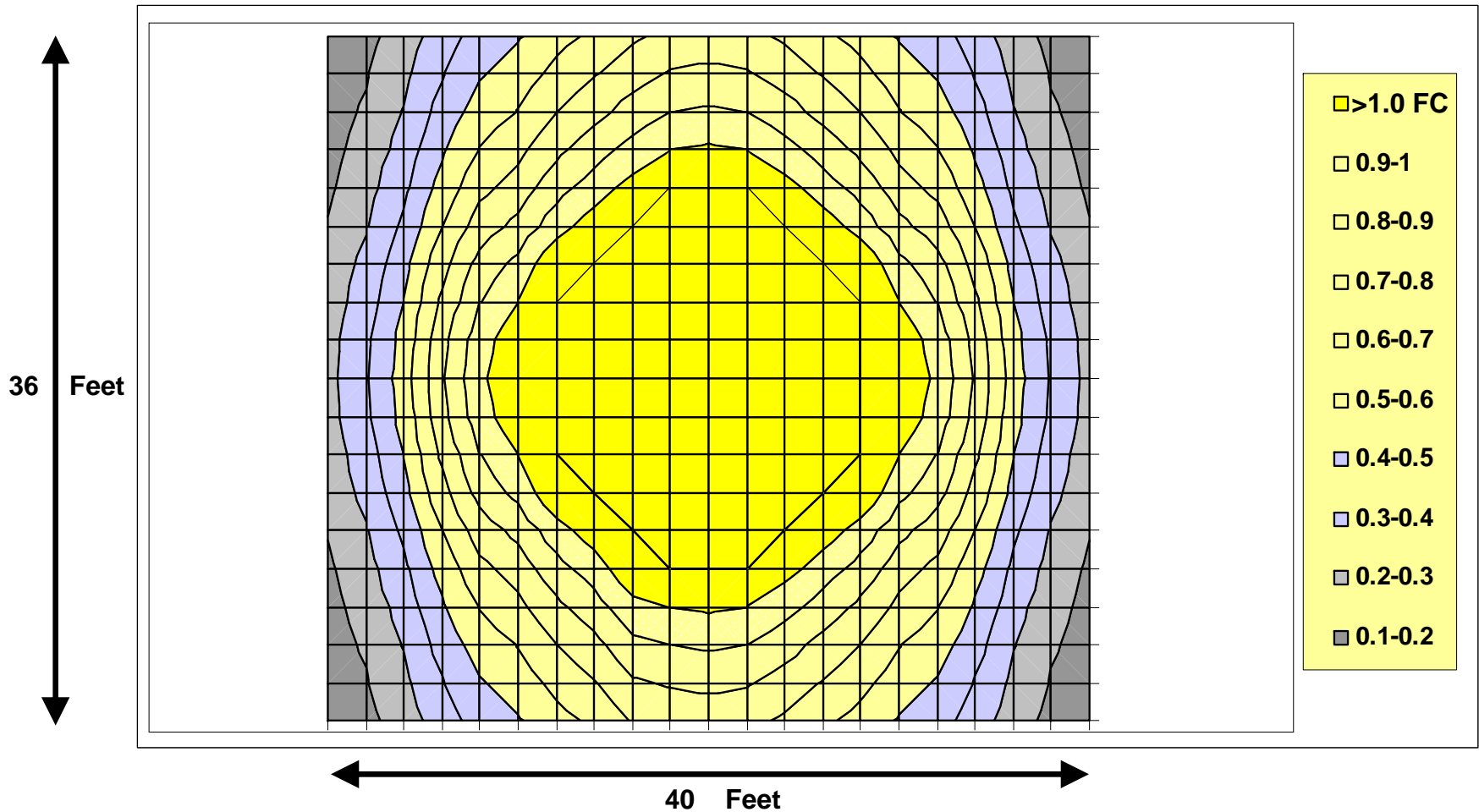
SYSTEM OVERVIEW

Cyberlux Outdoor Overhead Lighting (OOL) delivers the most energy efficient white LED lighting for outdoor overhead illumination that is commercially available. Designed to provide ideal light dispersion and illumination for outdoor areas, Cyberlux has designed this OOL configuration specifically for lighting pathways, walkways and parking lots.

- Directed white light for broad area illumination of 40' x 40' grid minimum
- Performs for over 50,000 hours without a lighting element replacement
- System operates with 31% more energy efficiency compared to fluorescent lights
- Provides up to 3,000 lumens of illumination / operates on 12 - 32 VDC power
- Proprietary Cyberlux Scattered Photon Extraction (SPE™) Technology
- Minimum System Configuration:
 - 1 Outdoor Area Solar Light, Pole Set, Battery Storage and DC connector(s)
 - Up to 4 Lightheads per system
- **All Products and Designs are Patented or Patent Pending**

Outdoor Overhead Lighting for Solar Pathway and Parking Lot Projects

PHOTOMETRICS: Mounting Height – 16', Foot-Candles at Ground Level
Single head data (beam pattern is with neither diffuser nor concentrator)



All Products and Designs are Patented or Patent Pending